

ViNtrol® Series CIV Isolator Floating Ball Valves

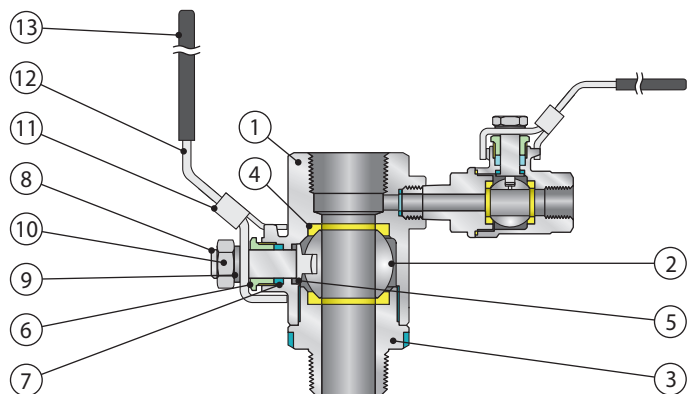
ViNtrol®, Inc.

Your Valve Solution Specialist



Parts & Materials

No.	Qty.	Part	Material
1	1	Body	CF8M/WCB
2	1	Ball	316 SS
3	1	Cap	CF8M
4	2	Seat	RTFE
5	1	Thrust Washer	RTFE
6	1	Packing	Graphite
7	1	Gland	304 SS
8	1	Stem	316 SS
9	1	Spring Washer	304 SS
10	1	Nut	AS-70
11	1	Locking Device	201 SS
12	1	Handle	201 SS
13	1	Handle Cover	PVC

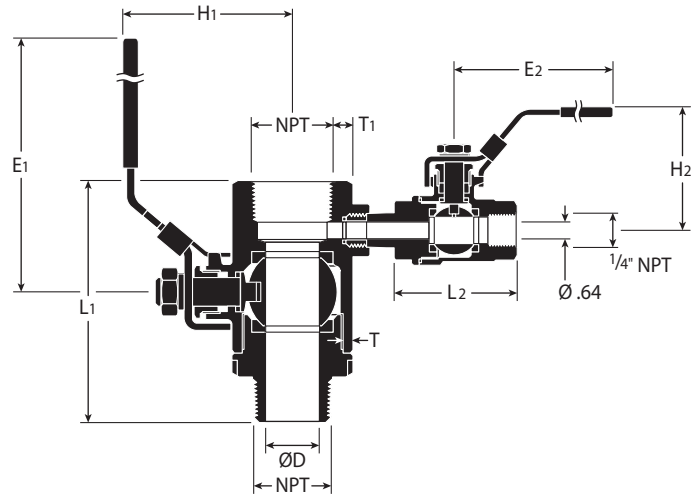


Visit Our Website for More Information • www.vintrol.com

Series CIV Isolator Engineering Data

Dimensions (in.)

Dim.	Size (in./mm)			
	1"		2"	
	in.	mm	in.	mm
ØD	0.87	22.3	1.49	38
L1	3.97	101	5.31	135
L2	2.18	55.6	2.18	55.6
H1	2.78	70.8	3.56	90.5
H2	2.16	55	2.16	55
T	0.21	5.4	0.27	7
T1	0.15	3.9	0.18	4.8
E1	5.90	150	7.48	190
E2	4.01	102	4.01	102
NPT	1	25.4	2	50.8



How To Order and Assembly Base Number

Example:
3100 - 1 2 2 N IV

Assembly Base No.	Body Material	Trim Material	Design	Standard	Code
See Chart Below	1 Carbon Steel 2 Stainless Steel	2 Stainless Steel	2 2-piece Sealwelded	N NACE	IV Isolator

Assembly Base Number

1" (2000 psi)	2" (1500 psi)
3100	3200

ViNtrol[®], Inc.
Valve Solution Specialist



5325 S.W. 36th Street • Oklahoma City, OK 73179-7802
Phone: 405-261-0770 • Toll Free: 1-866-345-8298
Fax: 405-261-0774 • www.vintrol.com